



T.D. Sawvel Co. Inc.

Providing Automated Packaging Solutions Since 1976

Notes:

MODEL #112TP

Piston Depositor / Transfer Pump / Volumetric Filler

Description:

Low profile 190 ounce volumetric piston depositor designed to transfer product.

Products:

Dips, sauces, cole slaw, potato salad, cottage cheese, sour cream or similar products that can be pumped with a piston depositor.

Key Features:

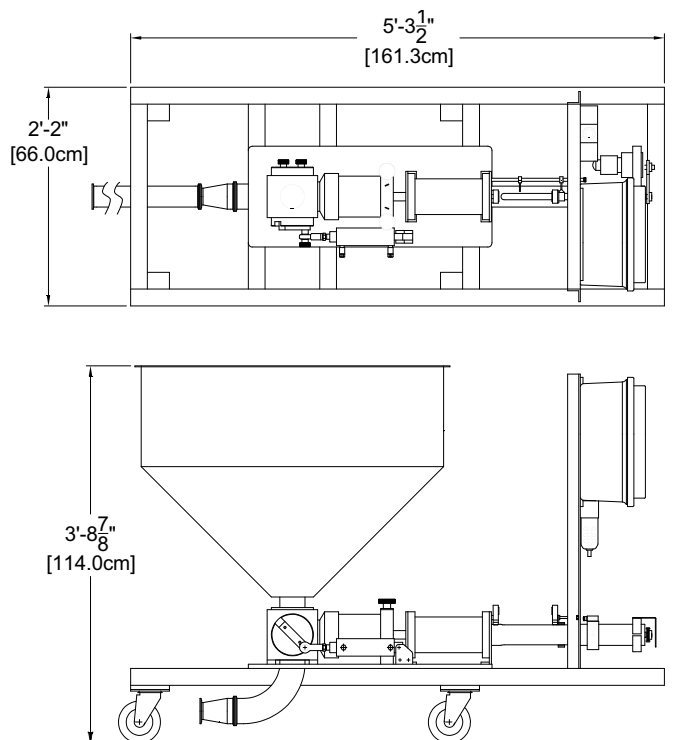
- Extremely accurate volumetric piston filling
- Floor model with stainless steel base
- Swivel casters and jack screws
- Adjustable stroke down to 48 ounces
- Designed for easy washdown
- 3" ports, in and out
- 304 stainless steel construction

Options Available:

- Filling table
- 40 gallon hopper
- Smaller piston sets for use with filling table

Specifications:

- Length: 5' 3 1/2"
- Width: 2' 2"
- Height: 2' 9"
- Air requirements: 20 cfm @ 80 psi



tdsawvel.com

The features, specifications and dimensions describes in this document are subject to change at any time without notice.

Toll Free: 877.488.1816 • Phone 763.479.4322 • Fax 763.479.3517 • 5775 Highway 12 West • Maple Plain, MN 55359 U.S.A