



T.D. Sawvel Co. Inc.

Providing Automated Packaging Solutions Since 1976

Notes:

MODEL #111-6PF

Specifications and Elevation Drawing

Air Requirements:

5 cfm @ 80 psi

Width:

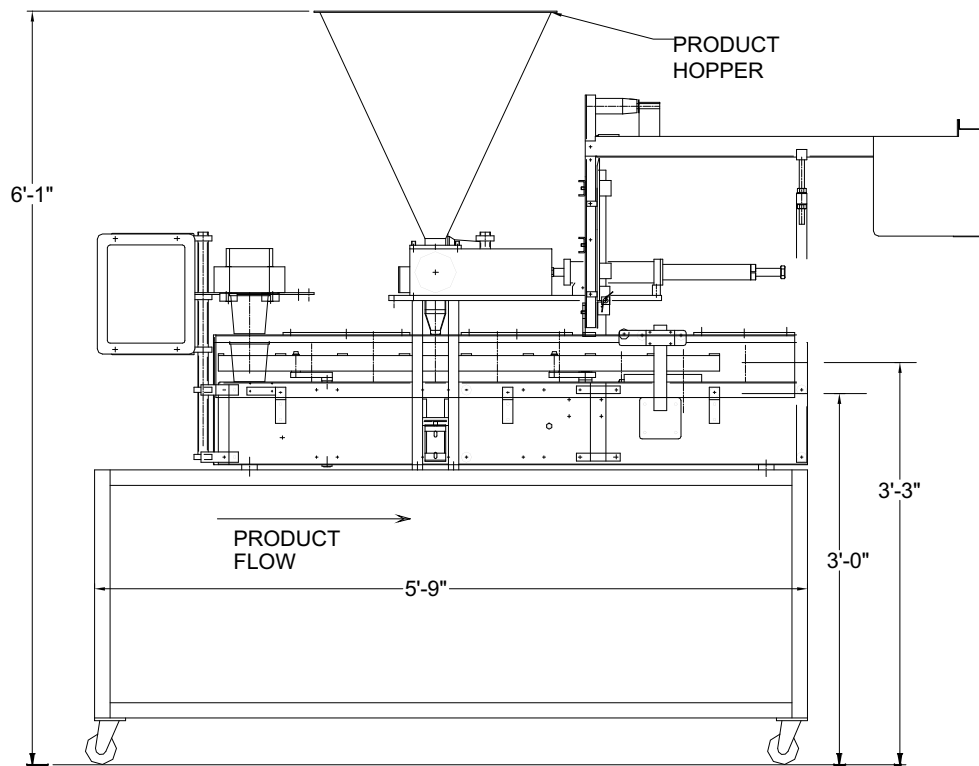
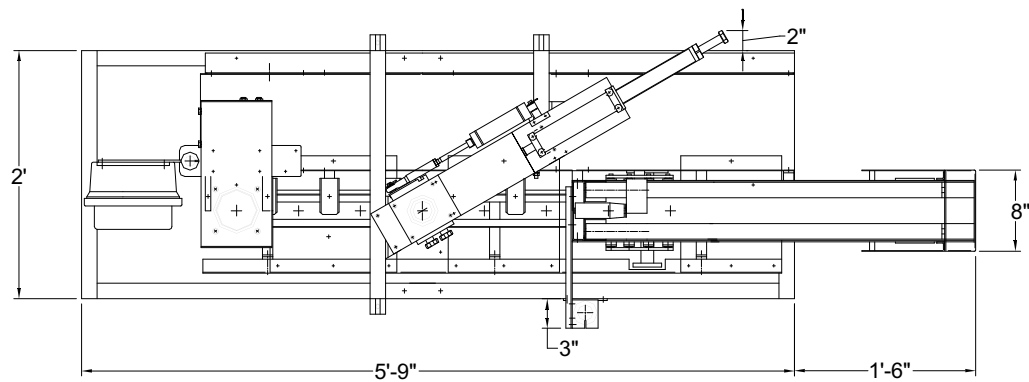
2' (60.96 cm)

Electrical Requirements:

220V AC, 60 Hz, 3 Phase, 5 amp

Length:

7' 3" (220.98 cm)



tdsawvel.com

The features, specifications and dimensions describes in this document are subject to change at any time without notice.

Toll Free: 877.488.1816 • Phone 763.479.4322 • Fax 763.479.3517 • 5775 Highway 12 West • Maple Plain, MN 55359 U.S.A